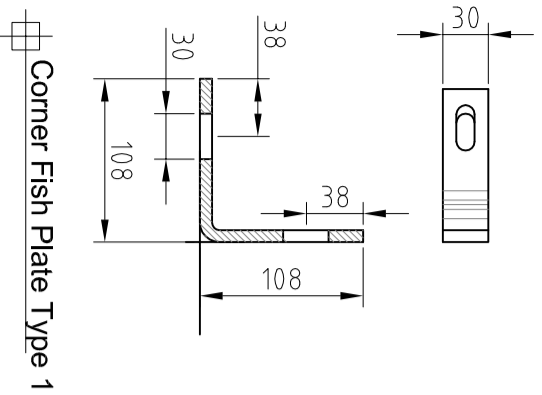
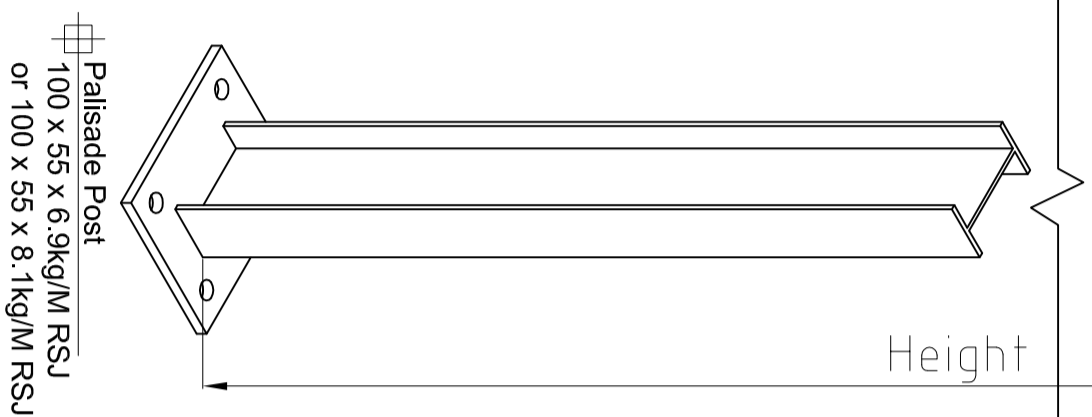


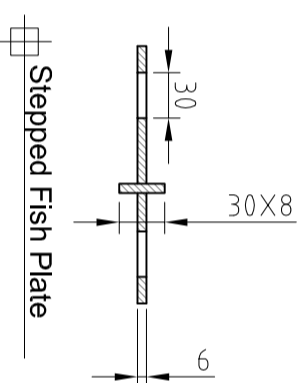
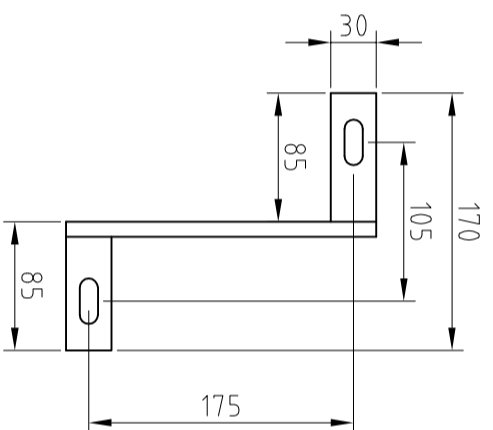
Palisade Post + Baseplate



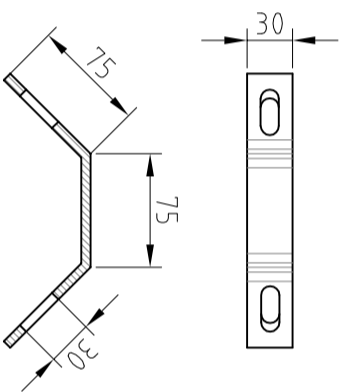
Corner Fish Plate Type 1



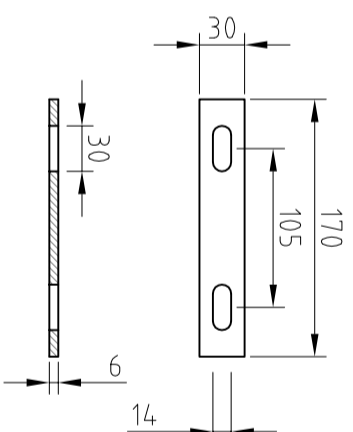
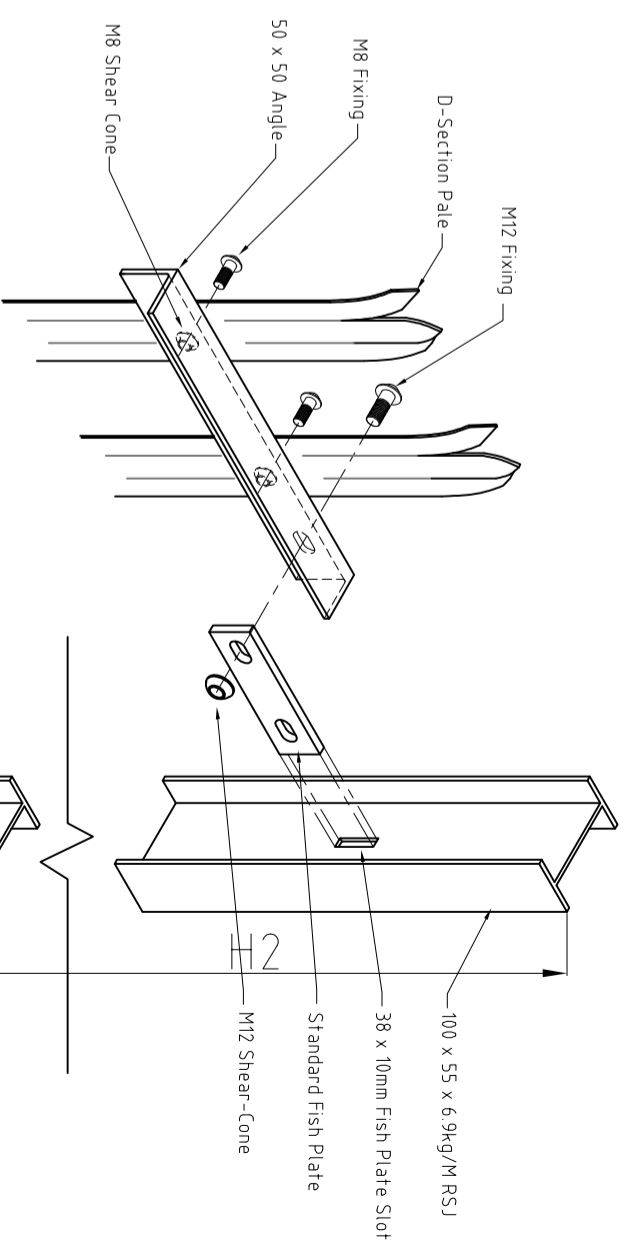
Palisade Post
100 x 55 x 6.9kg/M RSJ
or 100 x 55 x 8.1kg/M RSJ



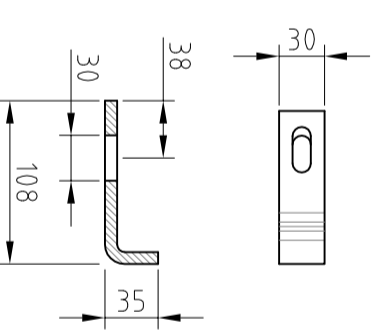
Stepped Fish Plate



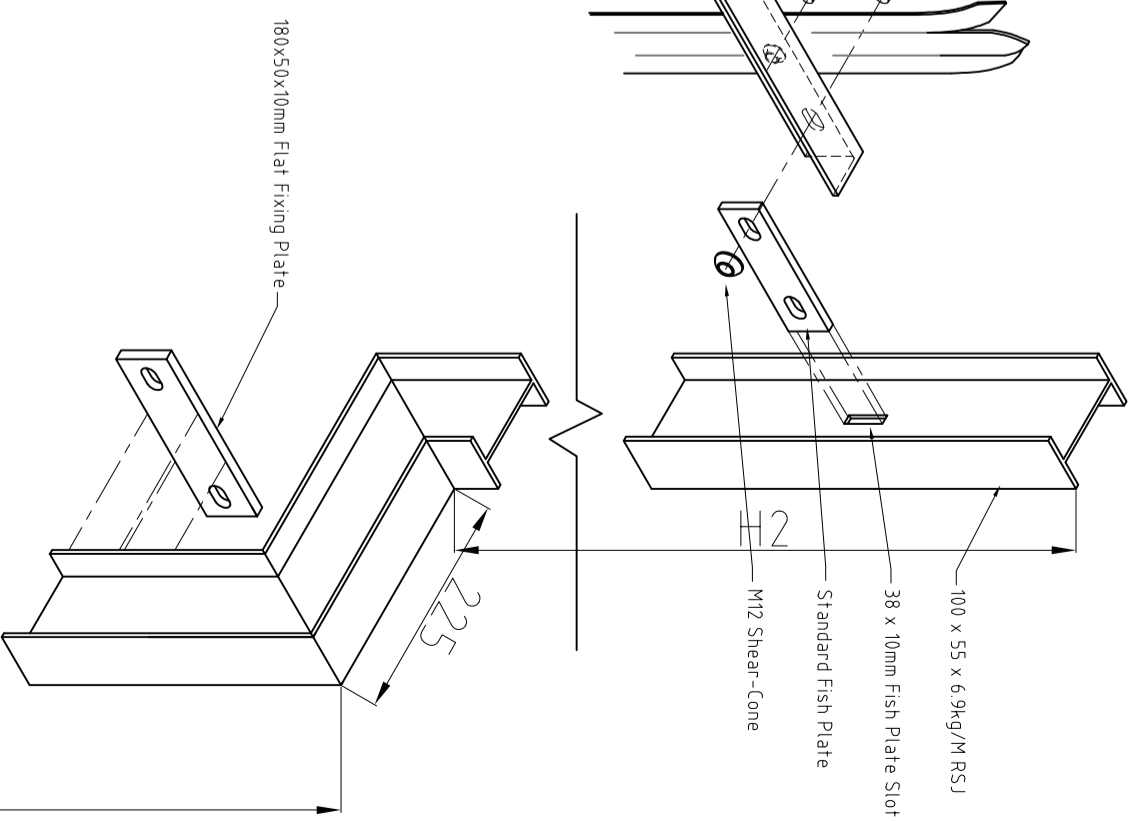
Corner Fish Plate Type 2



Standard Fish Plate



End Fish Plate



SAMPLE Cranked Palisade Post & Fixings
100 x 55 x 6.9kg/M RSJ
or 100 x 55 x 8.1kg/M RSJ

IMPORTANT: NOTE: SAMPLE DRAWING ONLY ACTUAL DIMENSIONS MAY CHANGE. **DO NOT SCALE**

© Copyright J.N.C. Fencing.

This drawing must not be loaned, copied or otherwise reproduced in whole or in part or used for any purpose without the prior permission of **J.N.C. Fencing**.



J.N.CUMMINS & Co.LTD

Industrial Fencing Contractors

Mayfield, Cashel, Co Tipperary
Tel: 00353 62 62214 Fax: 00353 62 62947
Info@meshfence.co.uk
www.meshfence.co.uk



DRAWING TITLE

Palisade Posts & Fixing Details

DATE:

December 2009

SHEET SIZE:

A3

SCALE:

NTS

DWG. NO.:

JNC PPF D

REV. NO.:

A